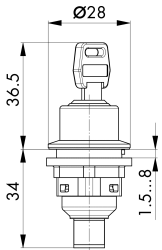


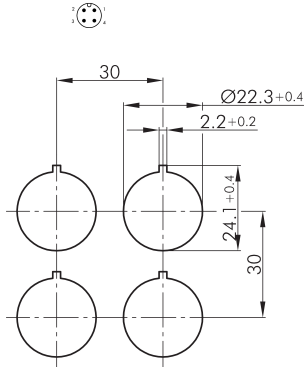


**Key-operated switch, maintained, with 4-pole M12 connector
SSWSSA12II_C009**

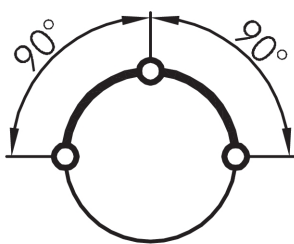
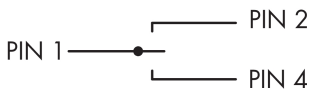
Description: with integrated 4-pole M12 connector, A coded including two keys other lock types on request



Category: Key switches (momentary/maintained)
 Series: SHORTRON® connect
 Panel cut-out: Ø 22.3 mm
 Mounting depth: 33.7 mm
 Protection class: II (protective insulation)
 Degree of protection: IP65 (in the front); IP65 / IP67 (on the rear with plugged-in M12 connector)



Switching function: maintained action
 Travel: 2.3 mm (pushbutton)
 Illumination: no
 With labelling option: no
 Contact equipment: 2 NO
 Connection type: 4-pole M12 connector (integrated), A coded
 Front bezel: black
 Electrical life: 30,000 switching cycles at rated load
 Storage temperature: -40°C ... 80°C
 Operating temperature: -25°C ... 70°C
 Mechanical life: 30,000 switching cycles
 Shape: round
 Contact material: AgNi



Legend
I= Switching position >=

**Spring return O= Key
removable position**